

Leica ScanStation P20/P15 Equipment List



- when it has to be **right**

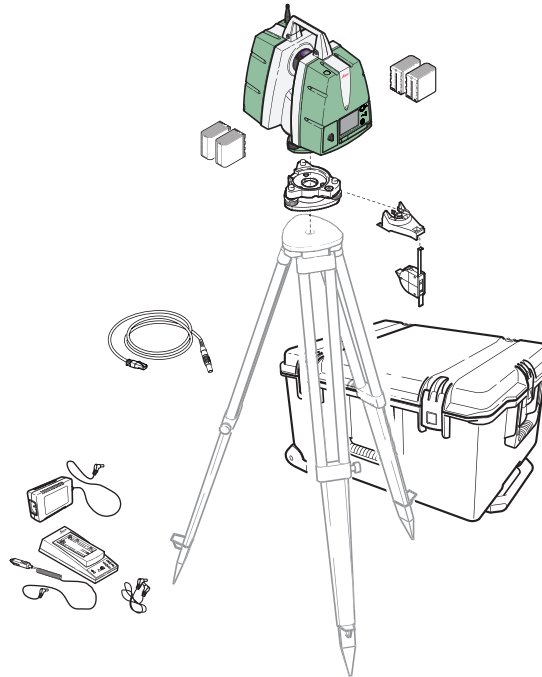
Leica
Geosystems

Table of Contents

ScanStation P20/P15		3
1	Scanner Set ScanStation P20	3
2	Scanner Set ScanStation P15	4
Accessories for ScanStation P20/P15		5
3	Accessory Set	5
4	Power Supply	5
	4.1 Internal Power Supply	5
	4.2 External Power Supply	5
	4.3 AC Power Supply	5
5	Data Transfer	6
6	Instrument Height Meter	6
7	Tribrachs	6
8	Tripods	6
9	Targets	6
	9.1 Targets	6
	9.2 Target Accessories	6
	9.3 Target Pole	6
	9.4 Magnetic Mount for Targets	7
	9.5 Reflector Carriers	7
	9.6 Adapter	7
10	Reflectors	7
11	GNSS (Global Navigation Satellite System)	7
	11.1 GNSS SmartAntenna	7
	11.2 SmartAntenna Adapter	7
	11.3 Controller for GNSS SmartAntenna	8
12	Additional Containers	8
13	Mounting Adapters	8
14	License Options	8
Suggested Equipment Setups		9
15	Configuration stand alone/internal Battery	9
16	Configuration scan laptop/external Battery	9
17	Configuration stand alone/internal Battery with Reflector on top	10
18	Configuration stand alone/internal Battery with GPS Antenna on top	11
Software and Care Packages		12
19	Software	12
20	Customer Care Packages (CCP)	12
Trademarks & Technical Data		13
21	Trademarks	13
22	Technical Data	13

ScanStation P20/P15

1 Scanner Set ScanStation P20

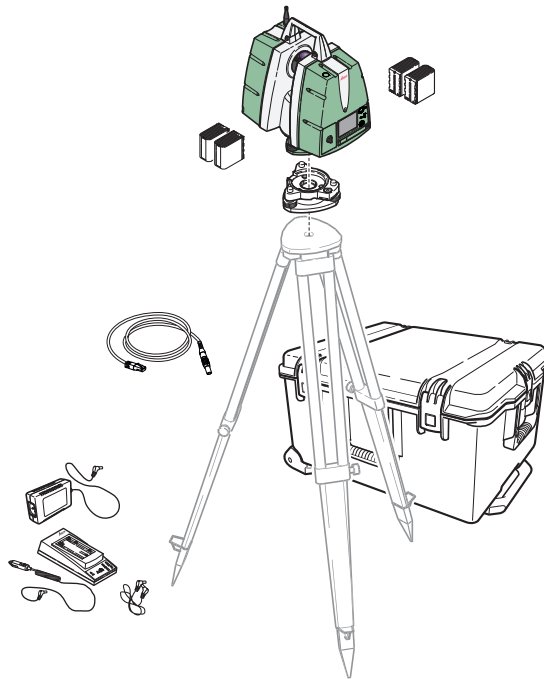


6006979 **P20**

Leica ScanStation P20 Standard Package, consisting of:

- 1x ScanStation P20 laser scanner (793 450)
 - 1x GVP645 transport box (769 625)
 - 1x GDF321 Tribrach without optical plummet (777 508)
 - 4x GEB242 Lithium-Ion Battery (793975)
 - 1x GKL212 Basic charger (772 785)
 - 1x AC/DC Adapter for basic charger (773 058)
 - 1x Daisy chain cable for basic charger (773 059)
 - 1x Car-Adapter cable for basic charger (738 242)
 - 1x GEV228 data cable (766 567)
 - 1x GHM008 Scanner height meter (772 829)
 - 1x GHT196 Distance holder for height meter (722 045)
 - 1x ScanStation P20 User Manual
 - 1x ScanStation P20 System Field Manual
 - 1x ScanStation P20/P15 System USB-Stick
 - 1x Cyclone CD (755 609)
 - 1 year CCP Basic contract (6007397)
-

2 Scanner Set ScanStation P15



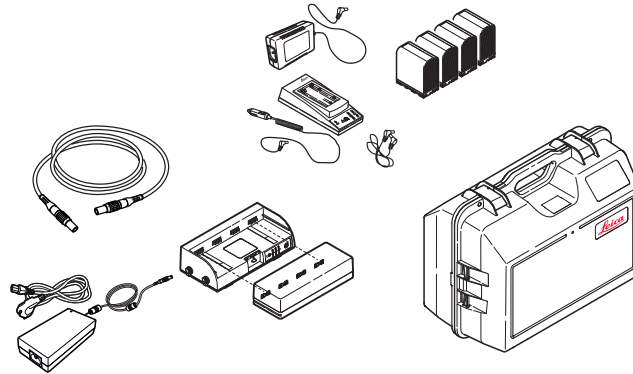
6008881 **P15**

Leica ScanStation P15 Standard Package, consisting of:

- 1x ScanStation P15 laser scanner (819 608)
 - 1x GVP645 transport box (769 625)
 - 1x GDF121Tribrach without optical plummet (667 304)
 - 4x GEB242 Lithium-Ion Battery (793 975)
 - 1x GKL212 Basic charger (772 785)
 - 1x AC/DC Adapter for basic charger (773 058)
 - 1x Daisy chain cable for basic charger (773 059)
 - 1x Car-Adapter cable for basic charger (738 242)
 - 1x GEV228 data cable (766 567)
 - 1x ScanStation P15 User Manual
 - 1x ScanStation P15 System Field Manual
 - 1x ScanStation P20/P15 System USB Stick
 - 1x Cyclone CD (755 609)
 - 1 year CCP Basic contract (6007397)
-

Accessories for ScanStation P20/P15

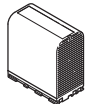
3 Accessory Set



6006980	Leica ScanStation P20/P15 Accessory Set, consisting of:
	<ul style="list-style-type: none"> • 1x GVP652, Accessory Container (769 626) • 1x GEB271, External universal battery (766 783) • 1x GKL271, Charging station for GEB271 (766 784) • 1x GEV225, AC power supply for GKL271 (767 652) • 1x GEV259, 1.8m power cable (789 617) • 4x GEB242 Lithium-Ion Battery (793 975) • 1x GKL212 Basic charger (772 785) • 1x AC/DC Adapter for basic charger (773 058) • 1x Daisy chain cable for basic charger (773 059) • 1x Car-Adapter cable for basic charger (738 242)

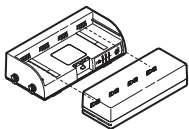
4 Power Supply

4.1 Internal Power Supply



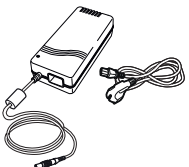
793 975	GEB242	Lithium-Ion battery, 14.8V/5.8Ah, rechargeable.
772 785	GKL212	Charger for Li-Ion batteries, with AC power cable.
773 058		AC/DC adapter for basic charger.
773 059		Daisy chain cable for basic charger.
738 242		Car-Adapter cable for basic charger.
733 271	GKL221	Charger, to be used with up to two charging adapters GDI221 or GDI222, charger cable and net adapter included.
733 323	GDI221	Adapter for GKL221 for charging 2 Li-Ion batteries GEB242.

4.2 External Power Supply



766 783	GEB271	Lithium-Ion, 14.8V, 16.8Ah. Can only be used together with the GKL271 charging station (766 784).
766 784	GKL271	Charging station for the GEB271 external universal battery (766 783), 14.8V/24/36V output power.
767 652	GEV225	AC power supply for the GKL271 charging station (766 784). For indoor use only!
789 617	GEV259	GEV259, 1.8m power cable to connect ScanStation Px scanner with GKL271 charging station (766 784).

4.3 AC Power Supply



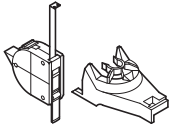
789 618	GKL123	GKL123, AC power supply for the ScanStation Px scanner. For indoor use only!
---------	---------------	--

5 Data Transfer



766 567	GEV228	ScanStation P20 data cable, 2.5m, standard ethernet jack to Lemo (8pin). Connects ScanStation P20 with computer.
812 212	GEV275	Synchronisation Cable

6 Instrument Height Meter



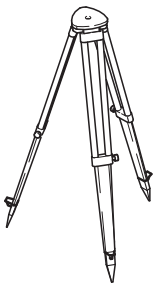
772 829	GHM008	Scanner height meter.
722 045	GHT196	Distance holder for height meter.

7 Tribrachs



777 508	GDF321	Tribrach, without optical plummet, pale green.
777 509	GDF322	Tribrach, with optical plummet, pale green.

8 Tripods



670 238		Fibreglass tripod with quick clamp.
332 200	GST4	Tripod-star, for setting up tripods on hard and slippery surfaces.
753 314	GST73	Rolling base with lockable wheels, suitable for all tripods. Allows the tripod to be moved without removing the instrument.

9 Targets

9.1 Targets



798 948		Tilt and turn, 6" circular planar, 5/8" female threaded. ScanStation P20 Black and White Target.
810 423		Black & White Twin Target system for establishing the verticality of scans, consisting of: <ul style="list-style-type: none"> • Two 3" x 3" targets, 5/8" threaded, with bag • System pole, with bag (target tripod not included)
810 424		Black & White Target - 3" x 3" square planar, single, adhesive-backed (10 pack).
810 425		Black & White Target - 6" circular planar, single, adhesive-backed (10 pack).
810 429		Black & White Target - 3" x 3" square planar, single, magnetic (10 pack).

9.2 Target Accessories

670 223		Target tripod.
670 224		Target tripod bag.
670 225		Target bag for 3" x 3" planar, 6" planar or 6" half-sphere tilt and turn targets.

9.3 Target Pole



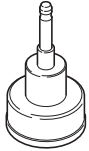
670 227		Fixed height target pole.
---------	--	---------------------------

9.4 Magnetic Mount for Targets



670 228		V-block magnetic mount for targets with 5/8" x 11 threaded post, for mounting on steel pipes.
670 229		Flat magnetic mount for targets with 5/8" x 11 threaded post, for mounting on flat steel surfaces.

9.5 Reflector Carriers



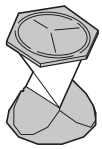
667 216	GRT146	Carrier with 5/8" screw.
667 313	GRT144	Carrier with stub, pale green.
770 715	GRT247	Carrier with 5/8" screw.

9.6 Adapter



667 217	GAD31	Screw-to-Stub adapter, for mounting of HDS targets to poles and carriers with stub.
---------	--------------	---

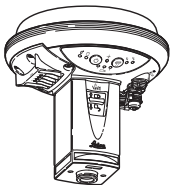
10 Reflectors



639 985	GRZ4	360° reflector.
754 384	GRZ122	360° reflector with 5/8" thread.
774 700	GAD111	GAD104-to-Stub adapter. Adapter to mount Leica reflectors on GAD104 SmartAntenna adapter.
779 082	GAD112	GAD110-to-Stub adapter. Adapter to mount Leica reflectors on GAD110 Smart-Antenna adapter.

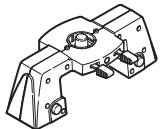
11 GNSS (Global Navigation Satellite System)

11.1 GNSS SmartAntenna



771 504	GS15	Leica GS15 Professional SmartAntenna.
---------	-------------	---------------------------------------

11.2 SmartAntenna Adapter



767 802	GAD110	SmartAntenna adapter to mount GS15 SmartAntenna.
---------	---------------	--


11.3 Controller for GNSS SmartAntenna



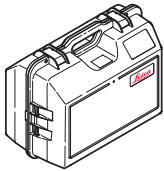
810 857	CS10 Radio Field Controller	CS10 Radio Field Controller. Ruggedized WinCE field controller with full VGA touch display, 1GB NAND flash memory, 512MB SDRAM, CF/SD card slot and 2MP camera. Includes Bluetooth, internal WLAN module, internal TPS radio module, numeric keypad, stylus. Available with either Lemo connector (CBC01) or DSUB connector module (CBC02).
---------	------------------------------------	---



810 856	CS15 Radio Field Controller	CS15 3.5G Field Controller. Ruggedized WinCE field controller with full VGA touch display, 1GB NAND flash memory, 512MB SDRAM, CF/SD card slot and 2MP camera. Includes Bluetooth, internal WLAN module, 3.5G GSM/UMTS module, QWERTY keypad, stylus. Available with either Lemo connector (CBC01) or DSUB connector module (CBC02).
---------	------------------------------------	--

 For details about additional required products and accessories to use the GNSS option or other antenna and controller configurations please refer to the Leica Viva GNSS or Leica Viva TPS TS11/TS12/TS15 equipment lists.

12 Additional Containers



769 625	GVP645	ScanStation P20 transport container.
769 626	GVP652	ScanStation P20 accessory container.
805 221	GVP710	Transport box light for ScanStation Cx/Px Note: For careful transportation only. Not designed for substantial shipping!

13 Mounting Adapters

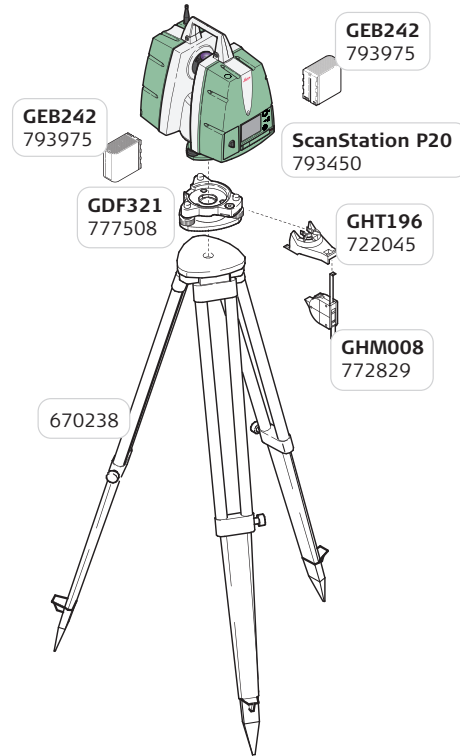
6007705	Upside Down Adapter Set, consisting of: <ul style="list-style-type: none"> • 1x Upside Down Mounting Plate (799 138) • 1x Upside Down Mounting Adapter (799 724) • 1x Water cover (798 536)
6007742	2D Profiling Adapter Set, consisting of: <ul style="list-style-type: none"> • 1x Upside Down Mounting Plate (799 138) • 1x 2D Profiling Scanner Adapter (799 729) • 1x Water cover (798 536)

14 License Options

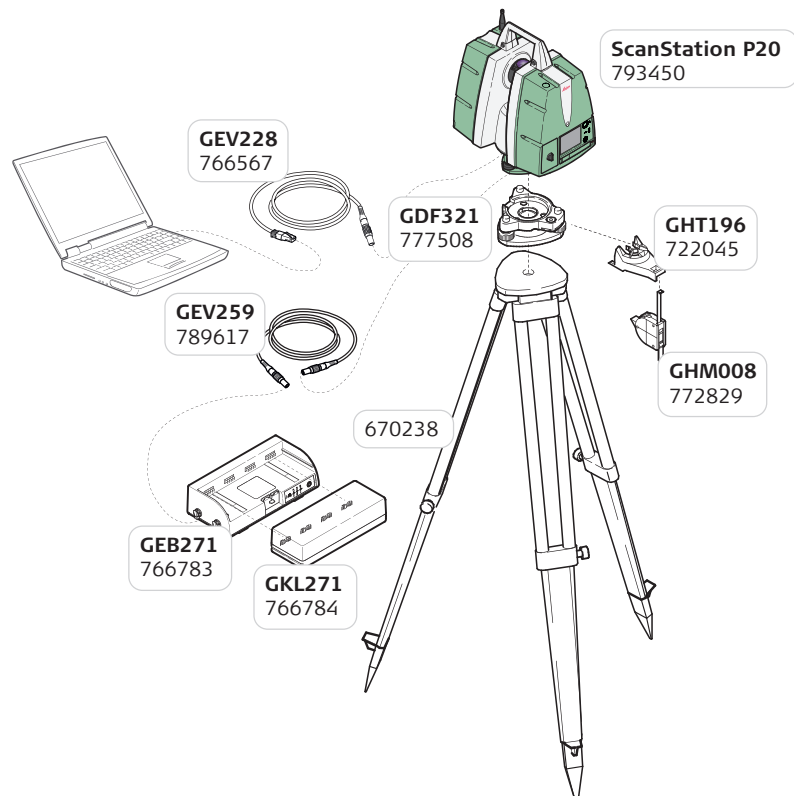
807 280	API Data Access Option. Enables access to ScanStation P20/P15 3D point cloud data in 3rd party software packages.
---------	--

Suggested Equipment Setups

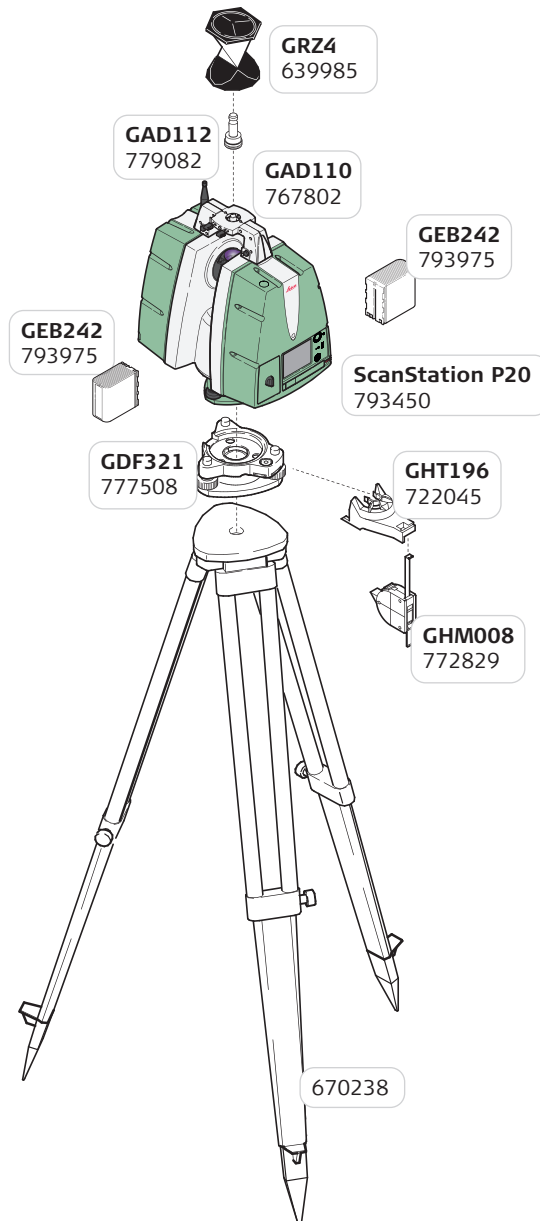
15 Configuration stand alone/internal Battery



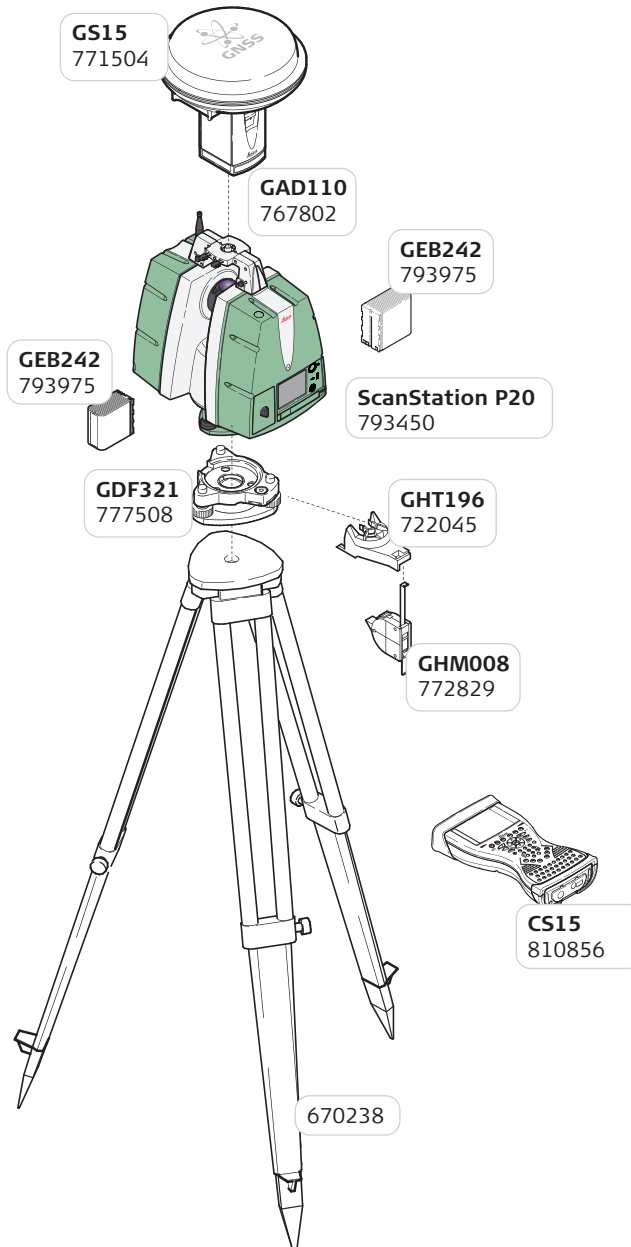
16 Configuration scan laptop/external Battery




17 Configuration stand alone/internal Battery with Reflector on top



18 Configuration stand alone/internal Battery with GPS Antenna on top



 For details about additional required products and accessories to use the GNSS option or other antenna and controller configurations please refer to the Leica Viva GNSS or Leica Viva TPS TS11/TS12/TS15 equipment lists.

Software and Care Packages

19 Software

755 609	CD-ROM Cyclone.
807 280	API Data Access Option. Enables access to ScanStation P20/P15 3D point cloud data in 3rd party software packages.

20 Customer Care Packages (CCP)

The ScanStation P20 standard package (6006979) and the ScanStation P15 standard package (6008881) include a 1 year CCP Basic contract. Multi-Year CCP contracts are available for ScanStation P20 and ScanStation P15, but can only be ordered with the initial purchase of an instrument.



6007398	2 year CCP Basic.
6007399	3 year CCP Basic.



6007400	1st year CCP Blue.
6007401	2 year CCP Blue.
6007402	3 year CCP Blue.



6007403	2 year CCP Bronze.
6007404	3 year CCP Bronze.



6007406	1st year CCP Silver.
6007407	2 year CCP Silver.
6007408	3 year CCP Silver.



6007410	1st year CCP Gold.
6007412	2 year CCP Gold.
6007413	3 year CCP Gold.

	Customer Support	Firmware/ Software Maintenance	Extended Warranty	Hardware Maintenance incl. Calibration	Loaner Instrument
Basic	✓	✓			
Blue	✓	✓		✓	
Bronze	✓	✓	✓		
Silver	✓	✓	✓	✓	
Gold	✓	✓	✓	✓	✓

For further details about HDS Customer Care Packages refer to document 767 474 (Active Customer Care - Leica Customer Care Packages for HDS Hardware and Software).

Trademarks & Technical Data

21 Trademarks

The *Bluetooth*® word mark and logos are owned by Bluetooth SIG, Inc. and any use of such marks by Leica Geosystems AG is under license.
Other trademarks and trade names are those of their respective owners.

22 Technical Data

Laser plummet:

LED class 1 in accordance with IEC 60825-1 resp. EN 60825-1

Scanner:

Laser class 2 in accordance with IEC 60825-1 resp. EN 60825-1



Whether you're designing a modification to a complex refinery piping system, surveying a site or documenting a historic building, you need reliable measurements. High-Definition Surveying scanning systems and software by Leica Geosystems provide you with exact data of what's there.

When your as-built information has to be right, rely on Leica Geosystems, the company that professionals trust for their scanning solutions. Leica Geosystems is best known for pioneering scanning technology with trustworthy, total solutions: versatile, accurate laser scanners, industry standard point cloud software, and a full complement of accessories, training and support.

Precision, quality and service from Leica Geosystems.

When it has to be right.

Illustrations, descriptions and technical specifications are not binding and may change.
Printed in Switzerland - Copyright Leica Geosystems AG, Heerbrugg, Switzerland, 2014.
795823-3.0.0en - III.14